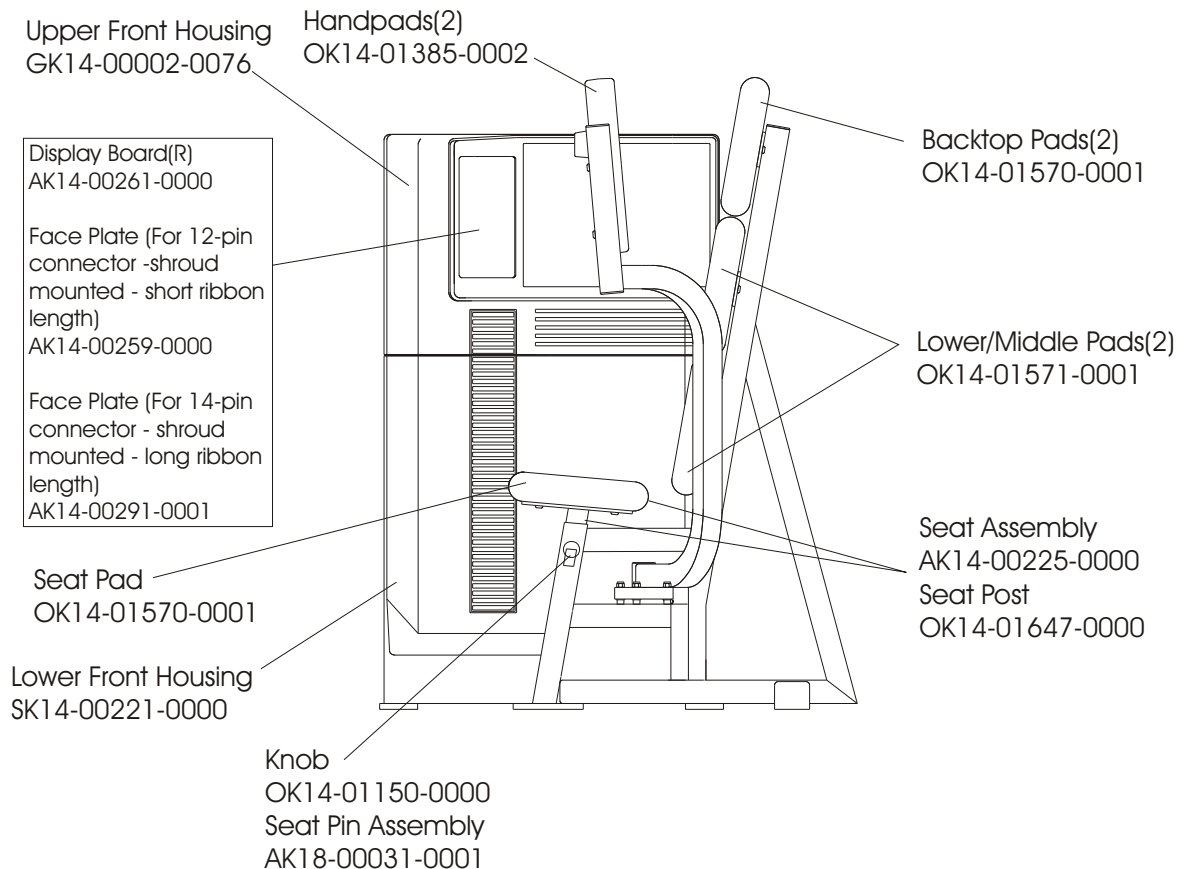
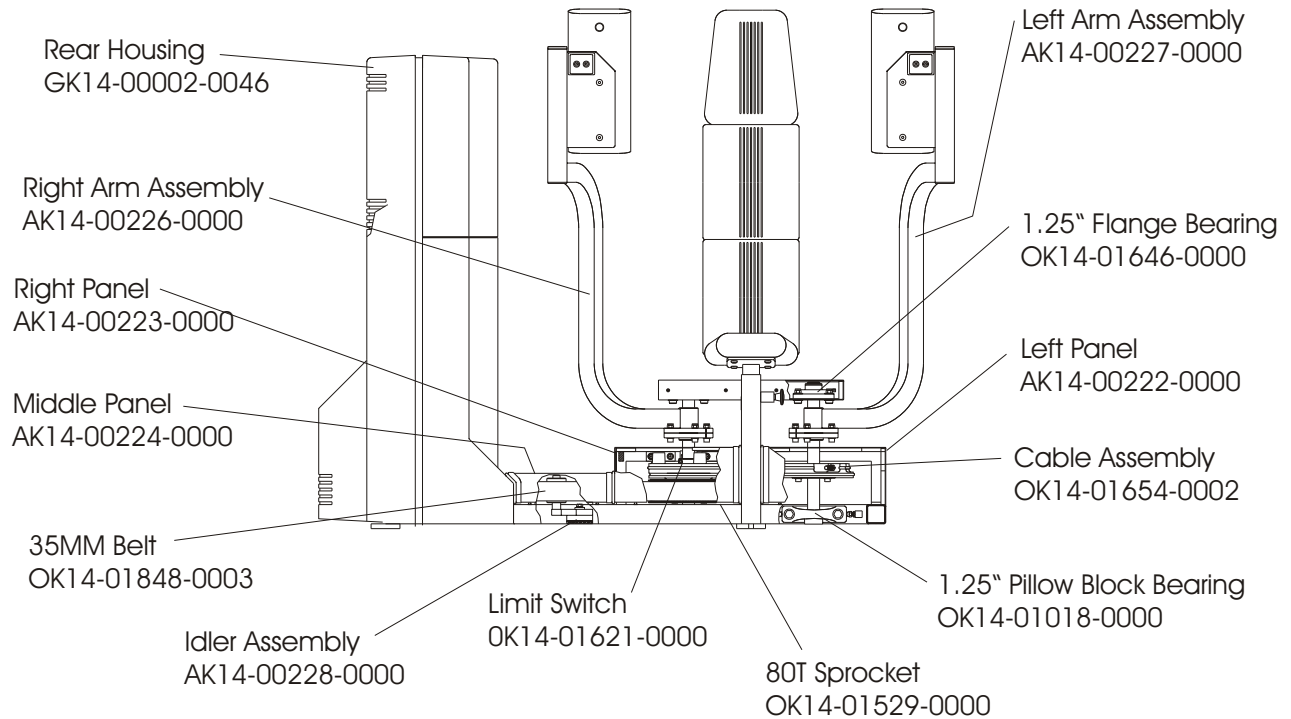


LT-FLY
FLY CIRCUIT

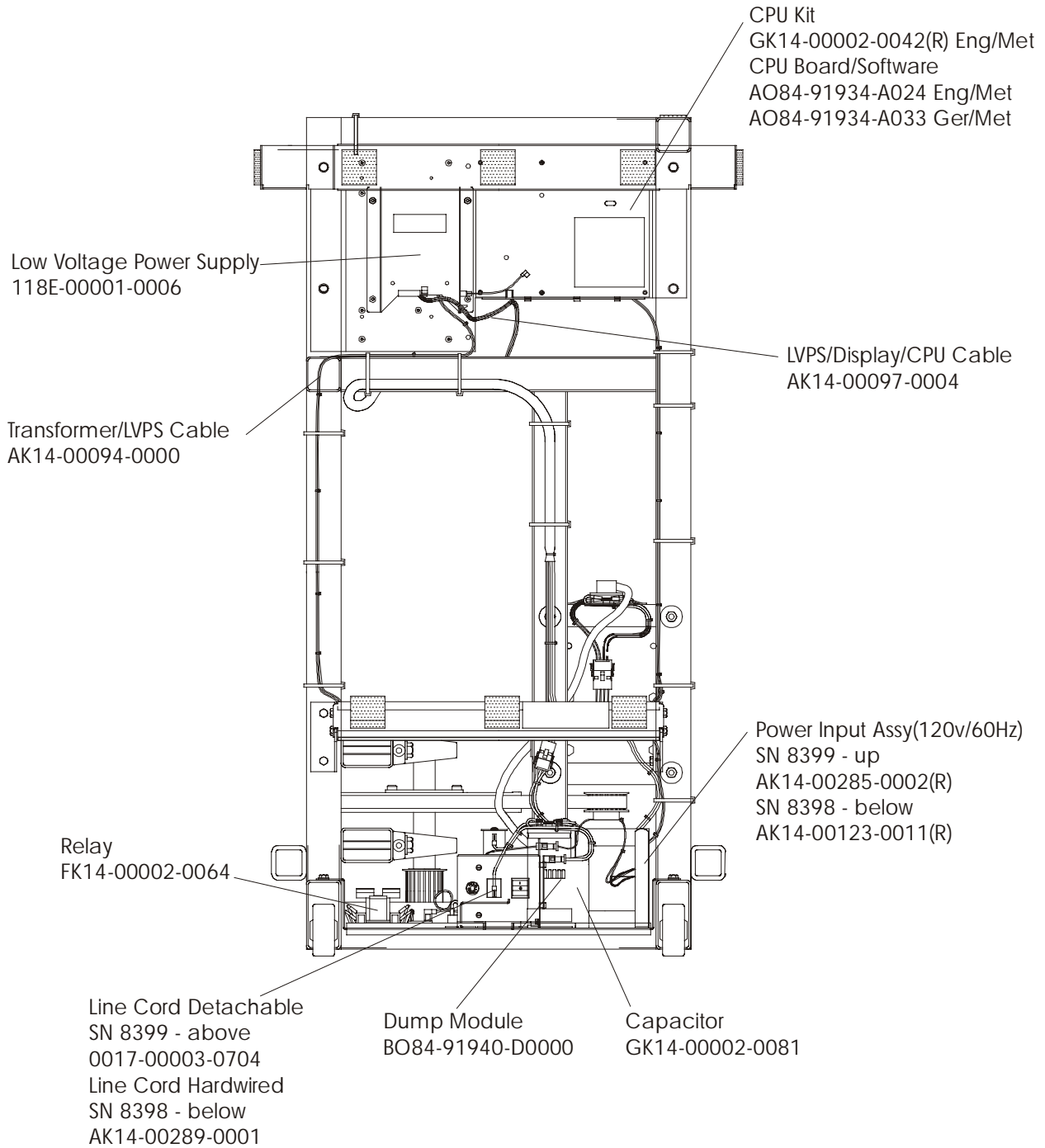
GK14-00001-XXXX
SN # 1000-15272



**LT-FLY
FLY CIRCUIT**

GK14-00001-XXXX

SN # 1000-15272



**LT-FLY
FLY CIRCUIT**

GK14-00001-XXXX
SN # 1000-15272

